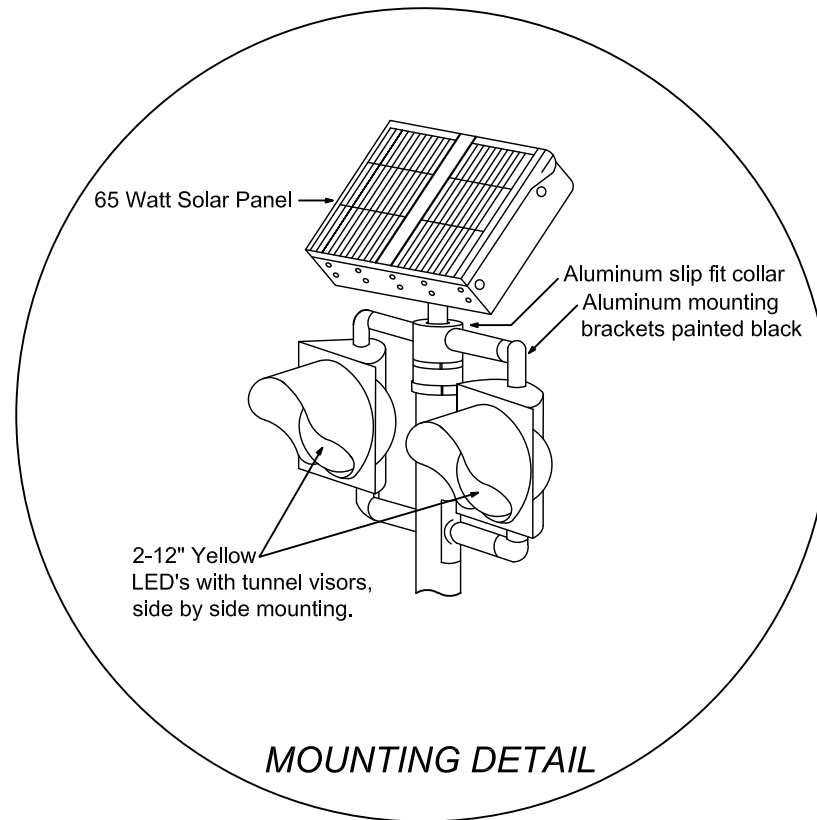
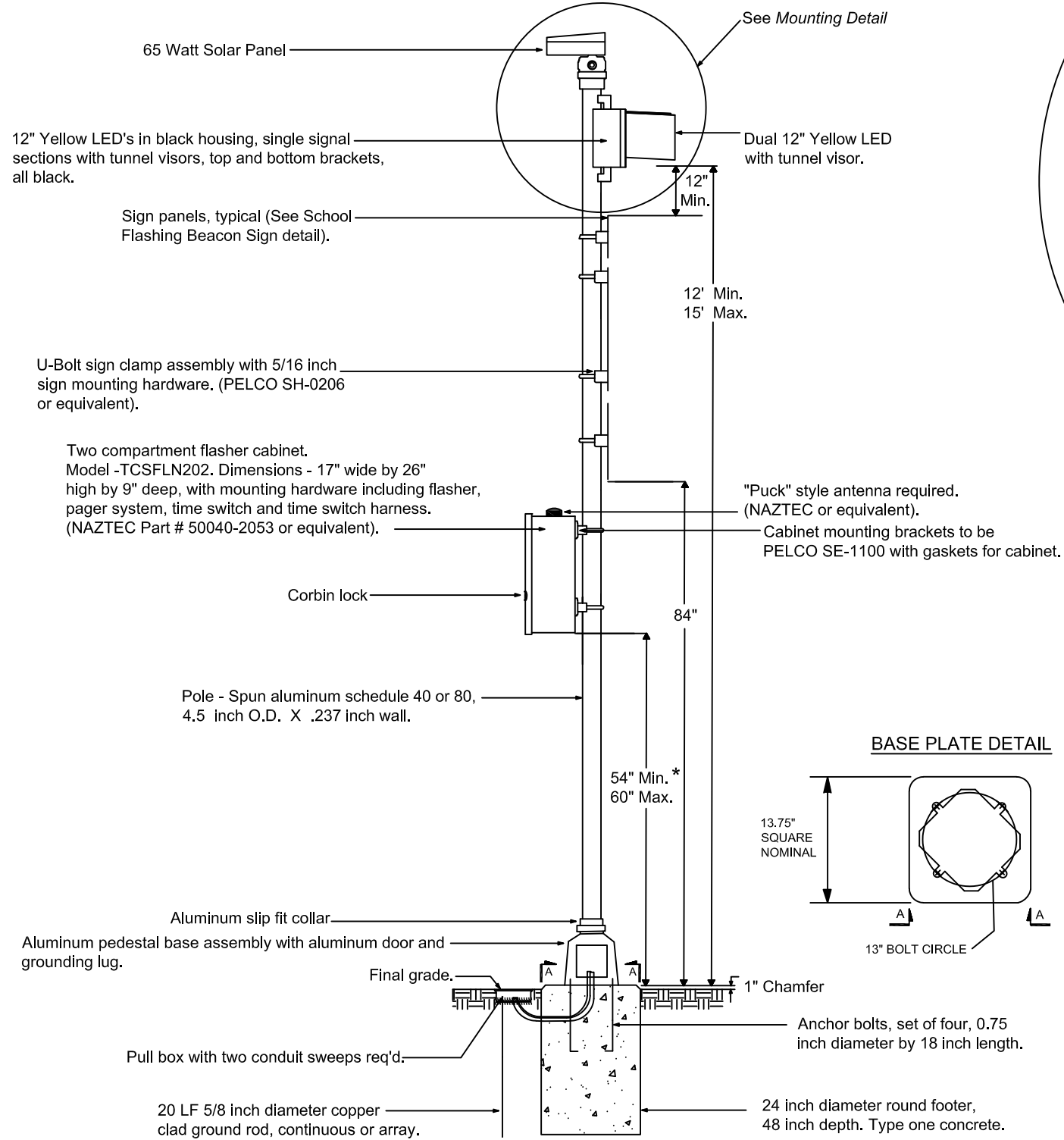
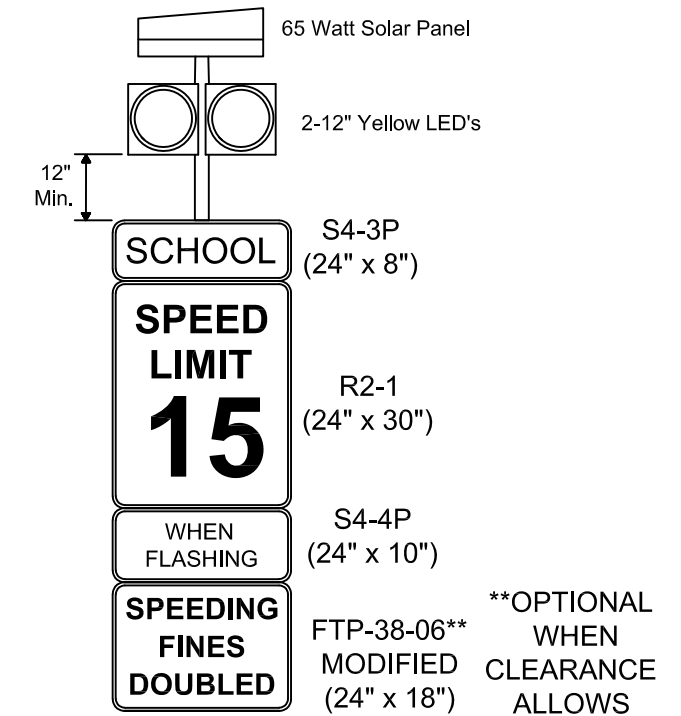


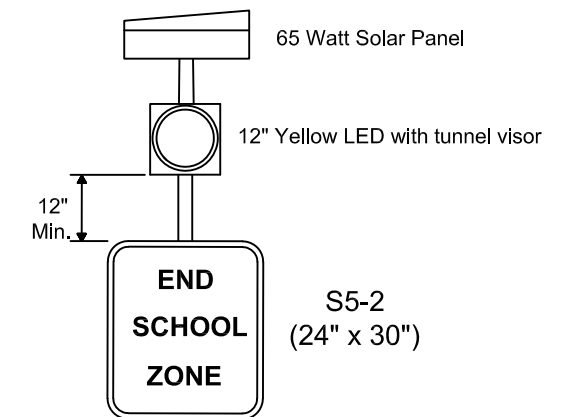
GROUND MOUNTED SOLAR POWERED SCHOOL FLASHING BEACON



SCHOOL FLASHING BEACON SIGN DETAIL



OPTIONAL END SCHOOL ZONE FLASHING BEACON



* At locations where the cabinet projects into a pedestrian path or can potentially cause a hazard to pedestrians, the cabinet height should be increased to provide a minimum of 7 feet of clearance over the pedestrian sidewalk or pathway.

1. This option shall be used in place of standard S5-2 signage as roadway conditions require.
2. End School Zone Flashing Beacon may be operated remotely from school flashing beacon or discretely as an entire solar flashing assembly. Refer to plans for requirements.
3. See Ground Mounted School Flashing Beacon Detail for equipment requirements, if operated as a discrete assembly.
4. Sign Beacon Assembly must have a current APL certification No. from FDOT.
5. Flashing beacon indications shall be flashed alternately. Beacons shall be flashed at a rate of not less than 50 or more than 60 times per minute. The illuminated period of each flash shall be a minimum of 1/2 and a maximum of 2/3 of the total cycle.

REVISIONS

| DATE | DESCRIPTION |
|------------|----------------------------|
| 04-30-2018 | UPDATED PANEL REQUIREMENTS |
| 11-06-2018 | UPDATED PANEL REQUIREMENTS |
| 01-24-2020 | UPDATED PANEL DIMENSIONS |



PUBLIC WORKS DEPARTMENT TRAFFIC ENGINEERING DIVISION

DESIGN BY: REBECCA MARTINEZ, P.E. SCALE: NTS
 DRAWN BY: STEPHON RAMOUTAR
 CHECKED BY: YVES D'ANJOU, P.E.

SOLAR SCHOOL FLASHER DETAILS -GROUND MOUNT

SHEET NO.

1 OF 1